



NuCedar Mills®

finely crafted exteriors
A Jain Company

NUCEDAR VERTICAL SIDING INSTALLATION INSTRUCTIONS

NuCedar Vertical Siding has been designed to replicate the look of traditional wood planking. The brushing patterns which are part of our Rough Sawn finish will produce different color and shading appearances on each piece. Please do not install any board that is not properly colored on its face or sides.

NuCedar Vertical siding, like all PVC products, will expand and contract based upon the temperature and sun exposure at any given time. Following the installation instructions outlined below is essential for the best possible product performance.

STORAGE AND HANDLING

When possible, store NuCedar products in the shade and on a flat surface. Do not store NuCedar in any location where ambient temperatures may exceed 120°F (e.g. on blacktop pavement, under dark tarps, etc.)

PREPARATION

Apply NuCedar products over a properly installed weather resistant barrier and ensure all wall openings and penetrations are properly flashed in accordance with local building codes and window/door manufacturer's flashing recommendations. The NuCedar cladding system is not a water-tight barrier. It is designed to reduce the amount of water that reaches the underlying weather resistant barrier.

All forms of NuCedar Vertical Siding must be installed over a continuous, flat surface capable of supporting the use of screws that will restrict temperature related expansion and contraction of the siding (see below). NuCedar Vertical Siding cannot be installed over open framing.

GENERAL INSTALLATION

Cut NuCedar products using standard woodworking tools and practices. Avoid using fine tooth blades.

Plan your layout prior to installation.

Fastening: Use exterior grade #6 or #8 screws or the Cortex hidden screw and color matching plug fastening system available thru NuCedar.

Screw vertical siding and face-nail or screw trim using the recommended schedule:

- Along the length: no farther apart than 12"
- Along the width: no farther apart than 4"
- No more than 2" from the end of the board

Leave approximately 1/16" space between all vertical boards.

For installations above 75°F, leave 1/16" between butt ends and any fixed surface.

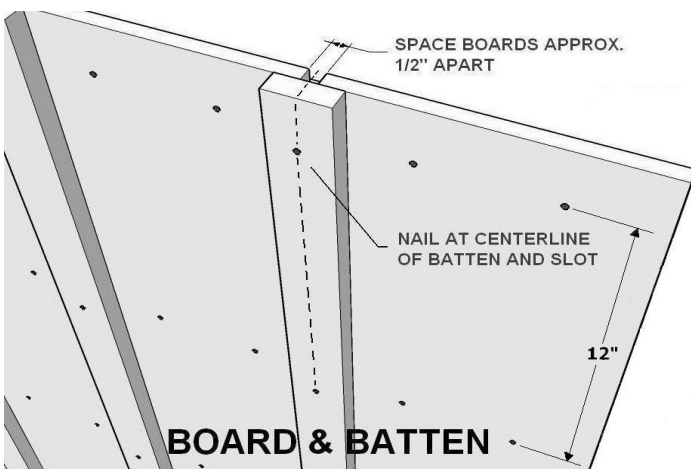
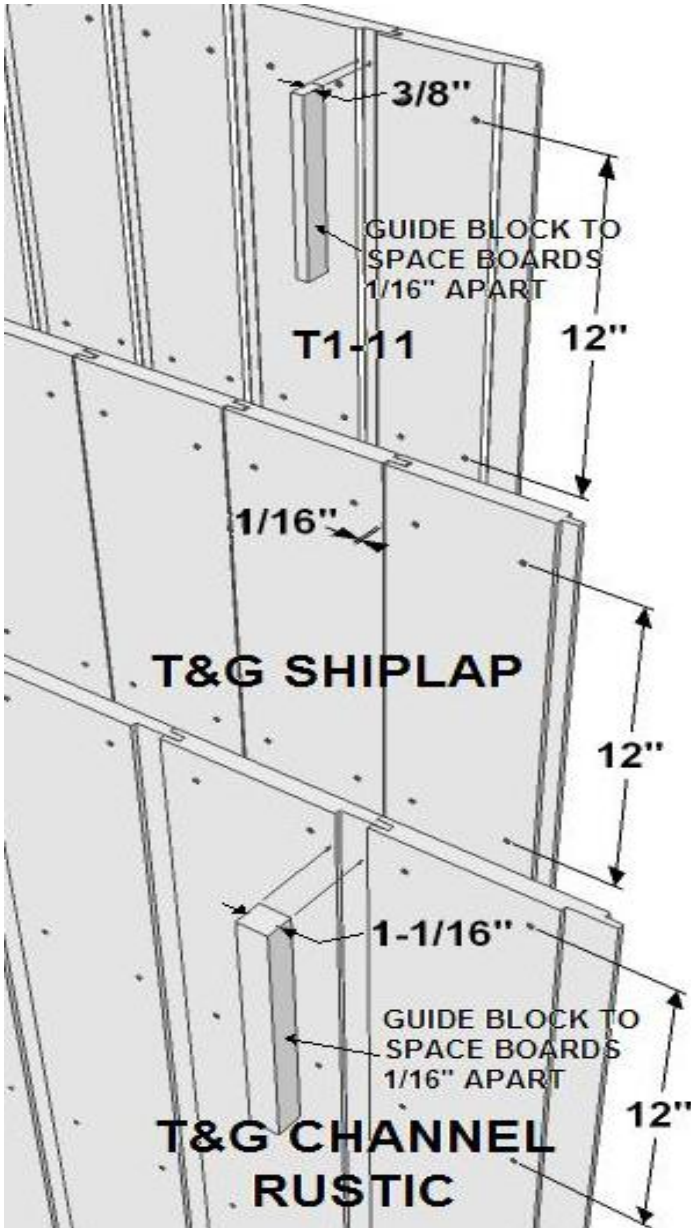
Between 40° & 75°F, leave 1/8" between butt ends and any fixed surface. Below 40°F, leave 1/4" between butt ends and any fixed surface.

Any cut surfaces should be recoated before application.

TOUCH-UP PAINT

Apply touch-up paint on all cuts, planed edges and small damaged areas.

For repainting instructions visit <http://www.nucedar.com/literature.html>



Installation must follow these instructions to maintain product warranty.

For additional copies and revisions, go to www.nucedar.com.

vsinstall Rev D